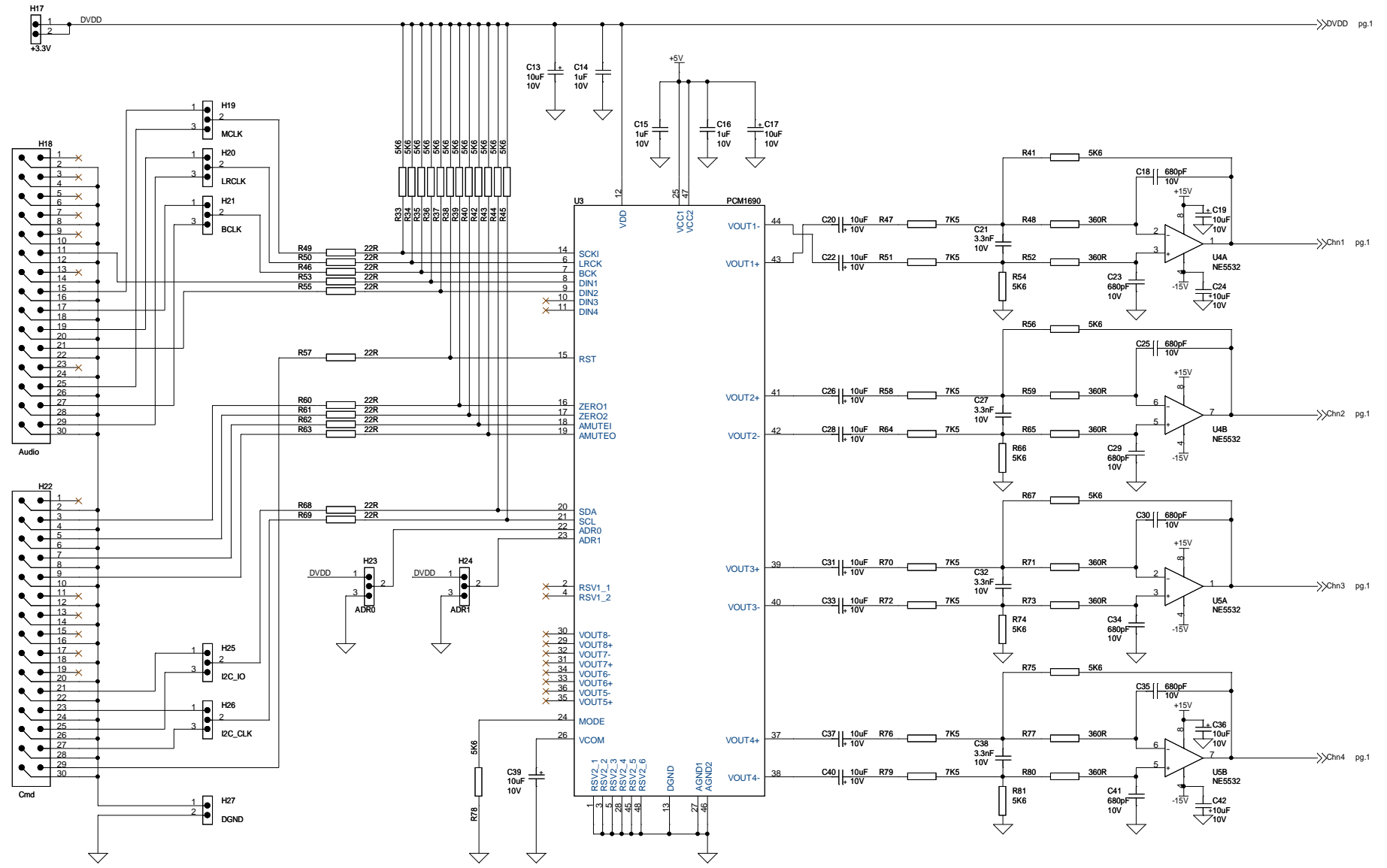


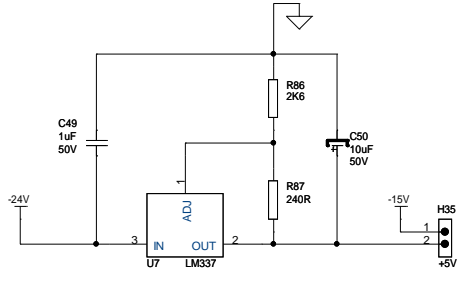
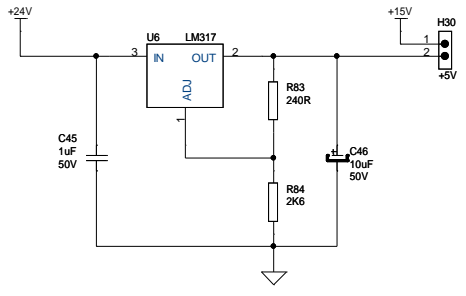
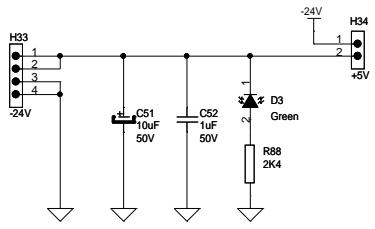
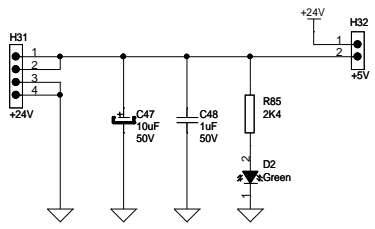
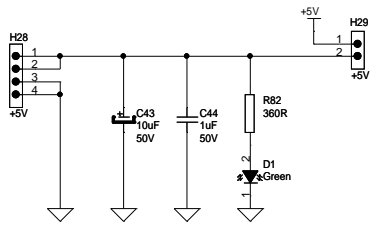
Bridge 1 & 2:
Amplifier 1 Non-Inverting; Amplifier 2 Inverting; Brdg1/2: 2-3

Bridge 3 & 4:
Amplifier 3 Non-Inverting; Amplifier 4 Inverting; Brdg3/4: 2-3

Title		
Prototype VI - Amp: Amplifier		
Size	Document Number	Rev
A3	107	A
Date:	Monday, June 22, 2009	Sheet 1 of 3



Title		
Prototype V1 - Amp : DAC		
Size	Document Number	Rev
A3	107	A
Date:	Tuesday, June 23, 2009	Sheet 2 of 3



Title		
Prototype VI - Amp: Power Supply		
Size	Document Number	Rev
A3	107	A
Date:	Monday, July 06, 2009	Sheet 3 of 3