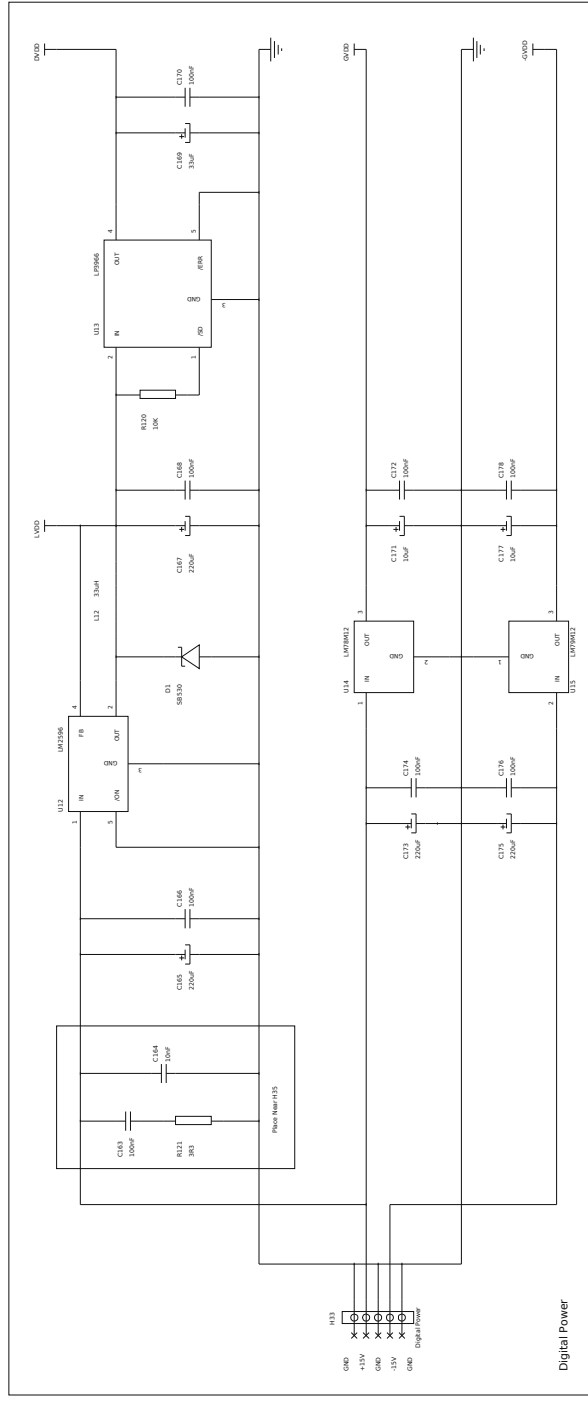
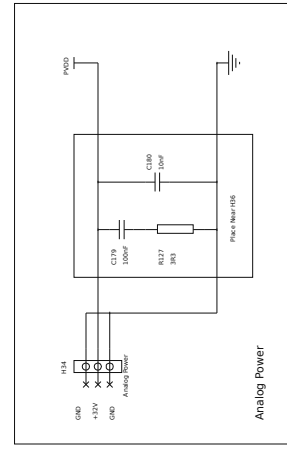
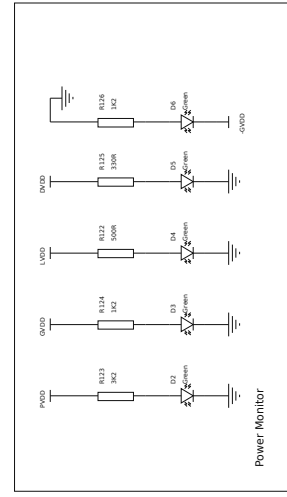


1 2 3 4 5

D C B A D C B A



**Power Definitions:**  
 PVD: 3125nA @ +32V  
 GVDD: 500nA @ +12V  
 LVDD: 500nA @ +5V  
 DVDD: 2500nA @ +3.3V  
 -GVDD: 500nA @ -12V



REV	Prototype II Power		
DATE	2008/02/20		
DESIGNER	AJ		
DATE	2008/02/20		
REV	01	OF	8

2 3 4 5