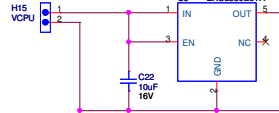
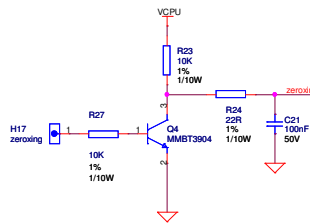
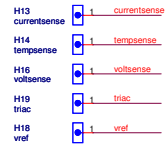
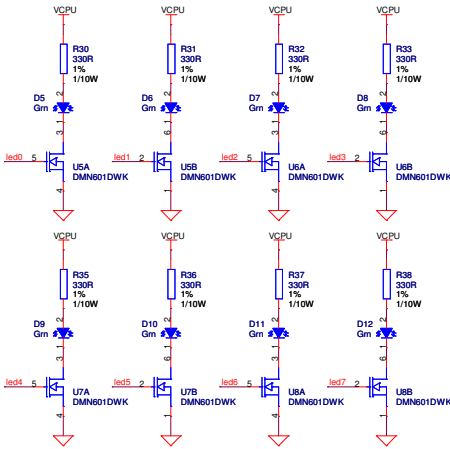


|       |                                 |              |
|-------|---------------------------------|--------------|
| Title | High Side Dimmer - High Voltage |              |
| Size  | Document Number                 | Rev          |
| A3    | 1111                            | A            |
| Date: | Monday, November 15, 2010       | Sheet 1 of 2 |

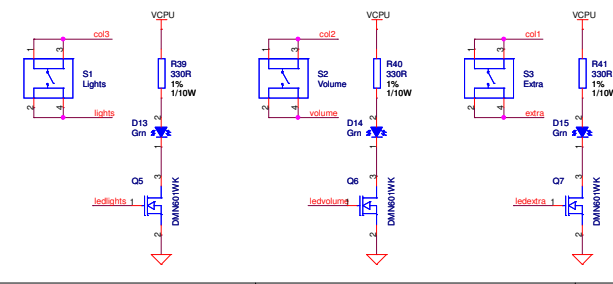
**INTERFACE**



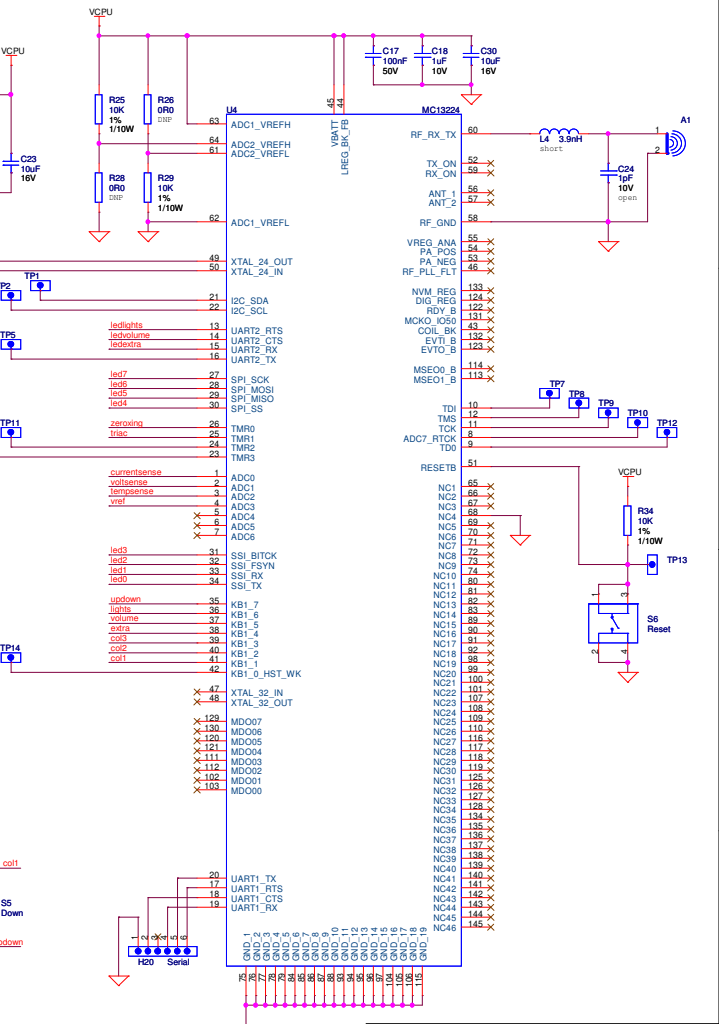
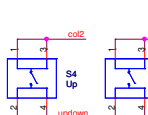
**INDICATORS**



**MODE SWITCHES**



**UP/DOWN CONTROL**



- ledlights 13
- ledvolume 14
- ledextra 16
- led7 27
- led6 28
- led5 29
- led4 30
- led3 31
- led2 32
- led1 33
- led0 34
- updown 35
- lights 36
- volume 37
- extra 38
- col3 39
- col2 40
- col1 41
- col0 42
- currentsense 1
- tempense 3
- vref 4
- zeroing 26
- triac 25
- TP15 23
- TP14 24
- TP11 25
- TP1 21
- TP2 22
- TP3 23
- TP4 24
- TP5 25

|                                       |                      |        |
|---------------------------------------|----------------------|--------|
| Title: High Side Dimmer - Low Voltage |                      |        |
| Size: A3                              | Document Number: 111 | Rev: A |
| Date: Monday, November 15, 2010       | Sheet: 2 of 2        |        |