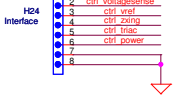
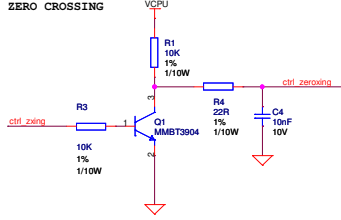


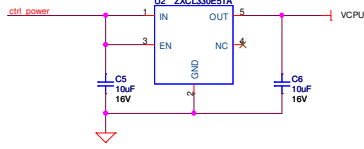
INTERFACE



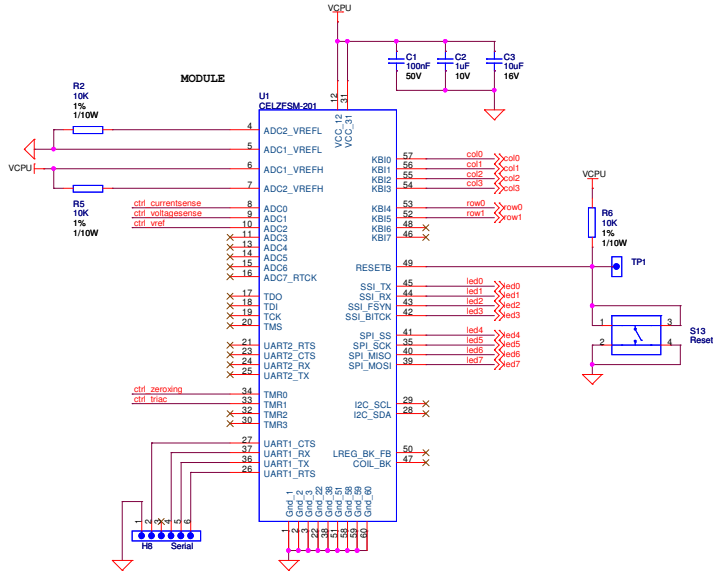
ZERO CROSSING



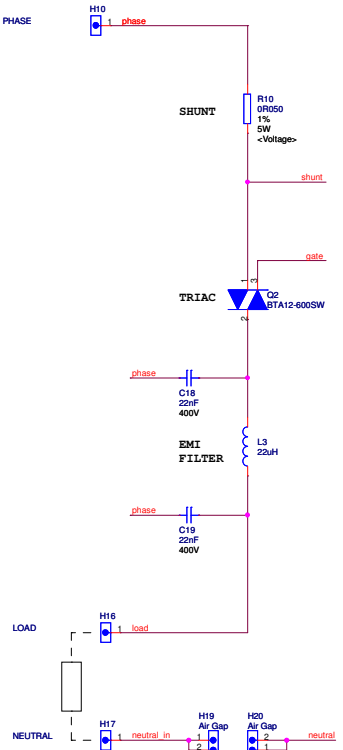
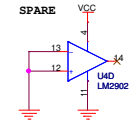
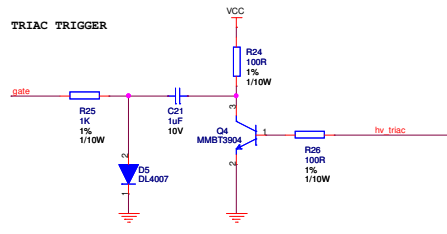
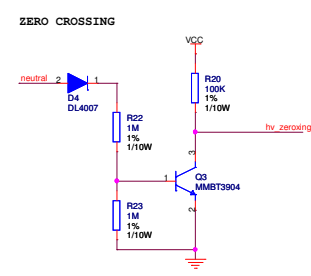
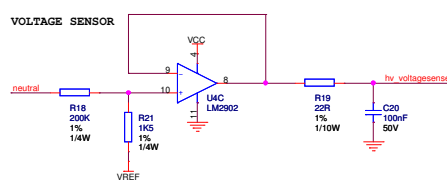
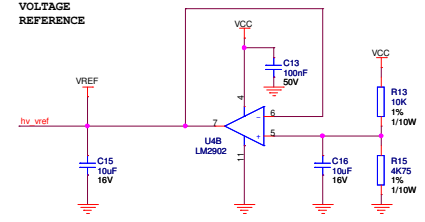
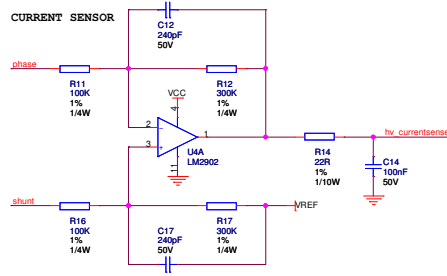
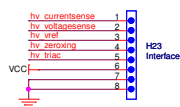
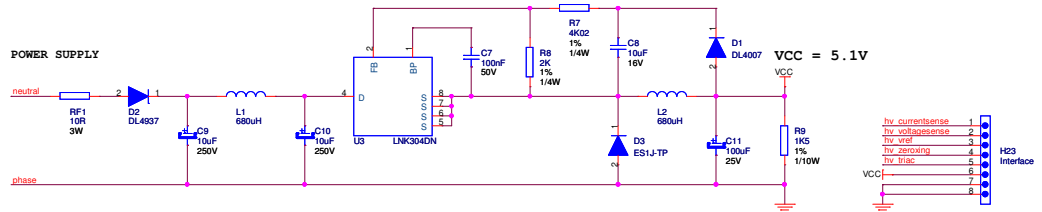
MODULE POWER



MODULE

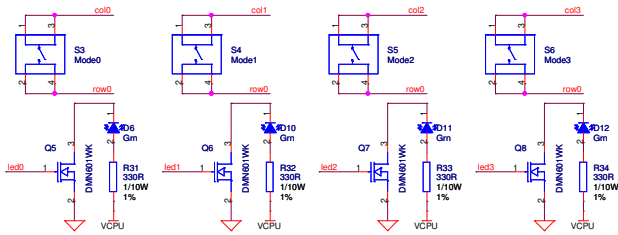


Title		DigDimmer Version 3
Size	Document Number	Rev
A3	114	A
Date:	Monday, January 17, 2011	Sheet 1 of 3

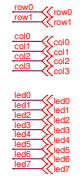
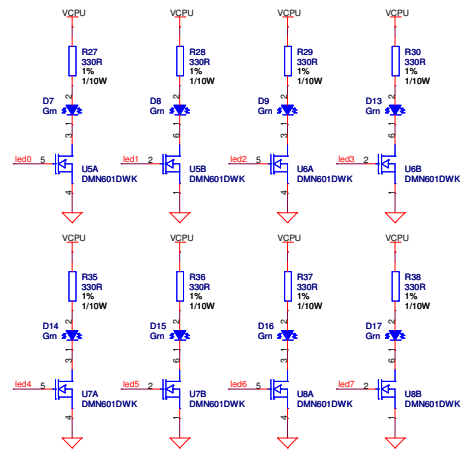


Title		DigDimmer Version 3
Size	AS	Document Number
	114	
Date:	Monday, January 17, 2011	Sheet 2 of 3
		Rev A

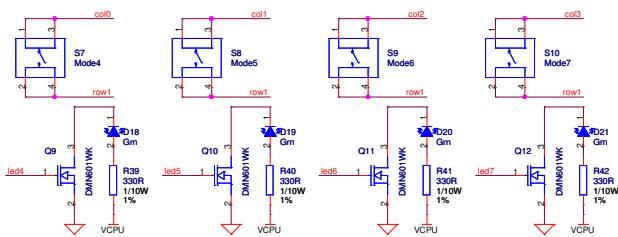
CORE SWITCHES



INDICATORS



FRINGE SWITCHES

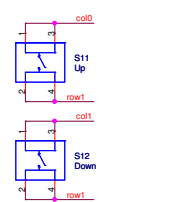


NOT ALL PARTS REQUIRED FOR ANY DEVICE

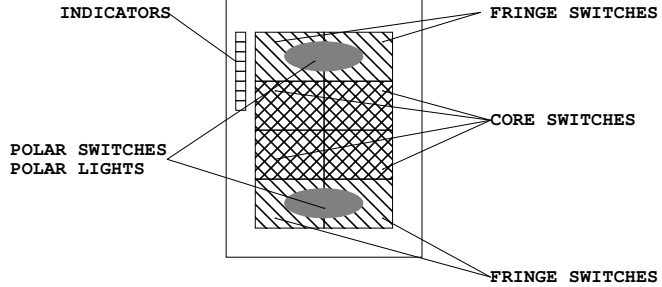
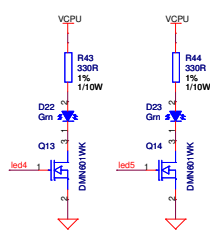
DEVICES COMBINATIONS:

- 1) 2-KEY = POLAR SWITCHES + INDICATORS
- 2) 6-KEY = POLAR SWITCHES + POLAR LIGHTS + CORE SWITCHES
- 3) 8-KEY = CORE SWITCHES + FRINGE SWITCHES

POLAR SWITCHES



POLAR LIGHTS



Title		DigDimmer Version 3
Size	Document Number	Rev
A3	114	A
Date:	Monday, January 17, 2011	Sheet 3 of 3