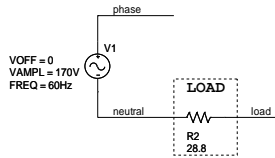
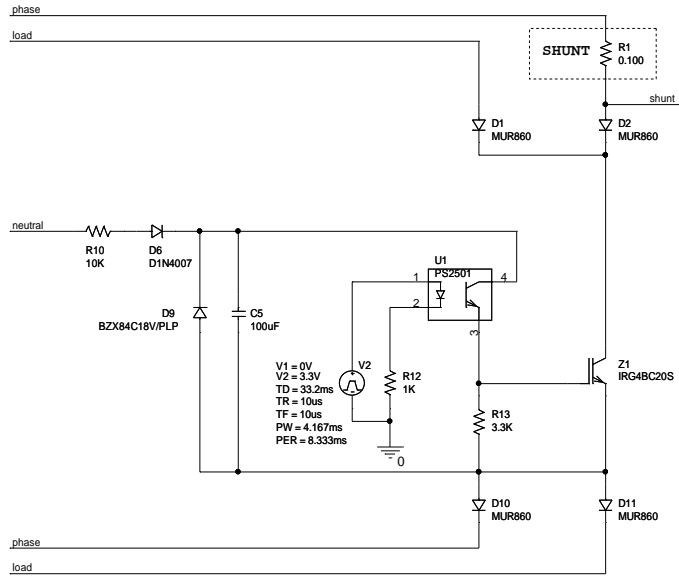


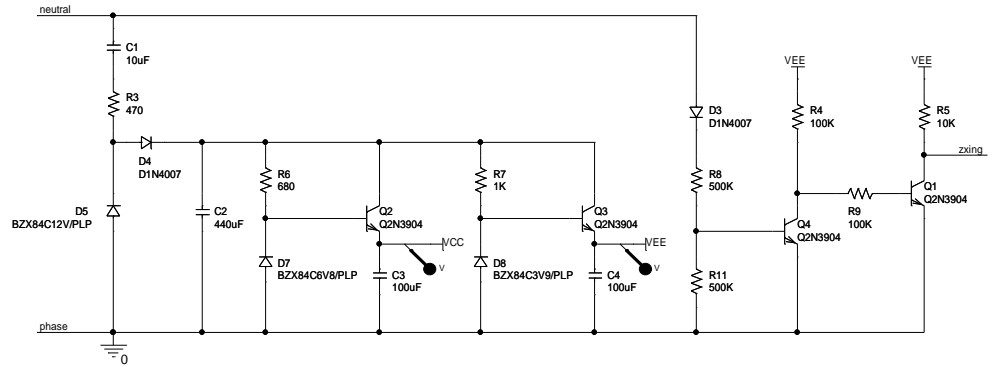
**AC SOURCE**



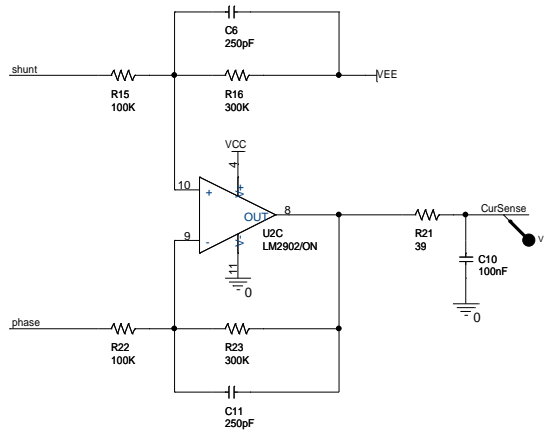
**DIMMER**



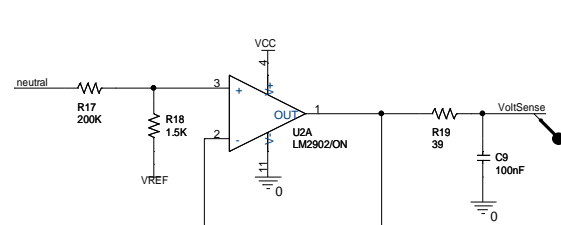
**POWER SUPPLY**



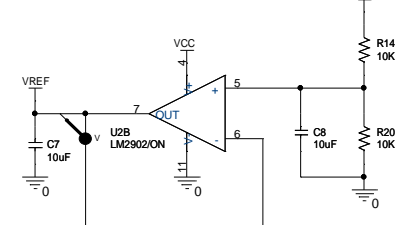
**CURRENT SENSOR**



**VOLTAGE SENSOR**



**VOLTAGE REFERENCE**



Title		
Prototype VII - Power		
Size	Document Number	Rev
A3	109	A
Date:	Wednesday, June 02, 2010	Sheet 1 of 1