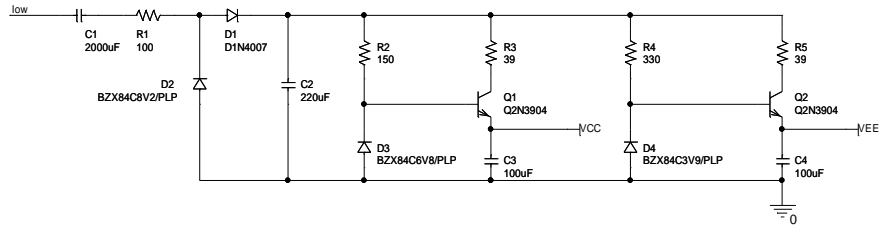
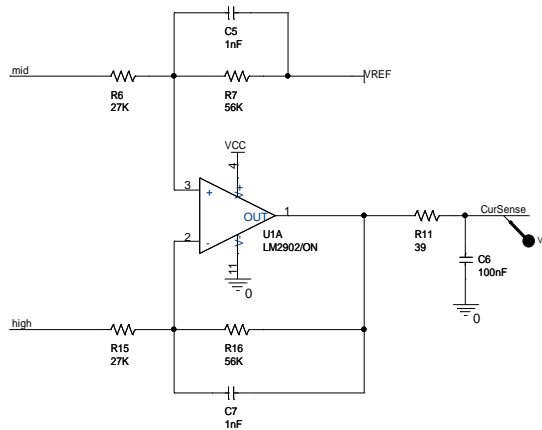


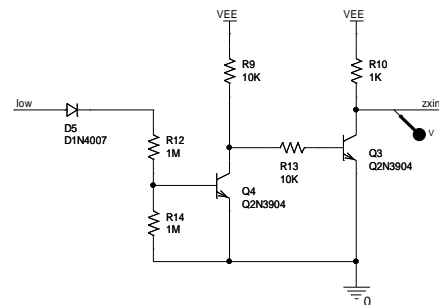
**POWER SUPPLY**



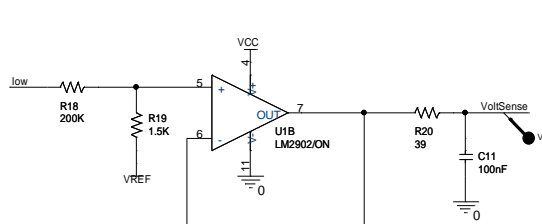
**CURRENT SENSOR**



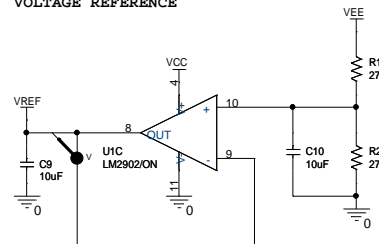
**ZERO CROSSING**



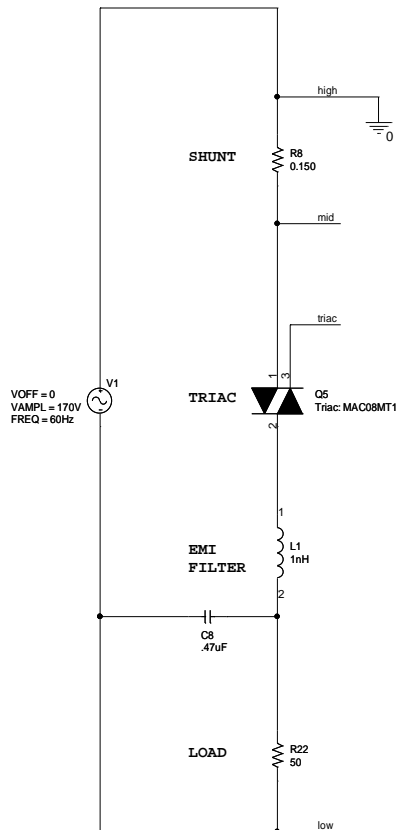
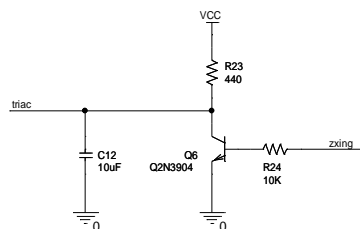
**VOLTAGE SENSOR**



**VOLTAGE REFERENCE**



**GOOFY TRIAC TRIGER**



Title		
HighSide Power Measurement - Spice Model		
Size	Document Number	Rev
A3	109	A
Date:	Thursday, May 06, 2010	Sheet 1 of 1